

# *Vimec stairlifts*



**vimec** ACCESSIBILITY

**vimec** ACCESSIBILITY

*Italian quality and design...  
tailor made for you*

# *Dolce Vita*

CHANGE YOUR LIFE  
WITHOUT CHANGING HOME

---

The Dolce Vita chairlift  
is always tailor made, with a precise design  
to suit for your staircase and your needs.

NO MORE WORRIES...  
WELCOME BACK  
DOLCE VITA!





DISCOVER AGAIN  
THE PLEASURE AND FREEDOM  
TO LIVE IN YOUR HOME



Your home gathers all the beautiful things of your life: affections, memories, comforts which are a joy to find around you.



Living your home in full autonomy is a pleasure you can continue to share with your family without any limitation and with the maximum comfort.



*Dolce Vita*



## MAXIMUM FLEXIBILITY AND MINIMUM INTRUSION

VIMEC DOLCE VITA can be installed either on the internal or external side of the stairs. No obstruction problems on the stairs since footrest, seat and armrests are completely folding. The seat and the footrest close and open together with a single movement. A range of colors for the seat and rail so you can choose the ones that best fit your home furnishings. Only a few simple gestures and the chairlift begins to be familiar.

*Dolce Vita*



The Dolce Vita chairlifts tailor-made rail is suitable for the longest and most difficult staircases.

Vimec twin-tube technology provides stability together with space reductions either on landings and along the stairs development.

We have successfully installed projects with 50-metres guides!



AT YOUR DISPOSAL  
TO PROVIDE YOU WITH  
THE BEST SOLUTION



Every house is different and every person has specific needs that have to be respected...

Vimec consultants are experienced and patient professionals, ready to share the experiences of other customers to better address your requirements.

We work for people's satisfaction.

LISTEN TO THE EXPERIENCE  
OF THOSE WHO HAVE MADE  
THE CHOICE ALREADY

The consultant who will propose you Vimec is a professional technician able to support you from the choice to the use, without problems, of your Dolce Vita.



The quality of more than 130.000 projects realised and installed in the world is our best warranty. The satisfaction of our customer is the proof.





---

## CHOOSE DOLCE VITA BECAUSE...

---

**It is easy to use, each solution is unique and tailor made to meet customer's needs.**

**It does not fear the long distances.**

**It can be installed in one day and does not require builders work.**

**Vimec uses a technology that avoids the risk of injury / damage from contact with the rack.**

**It can also be installed outdoors and has a solid and stable seat.**



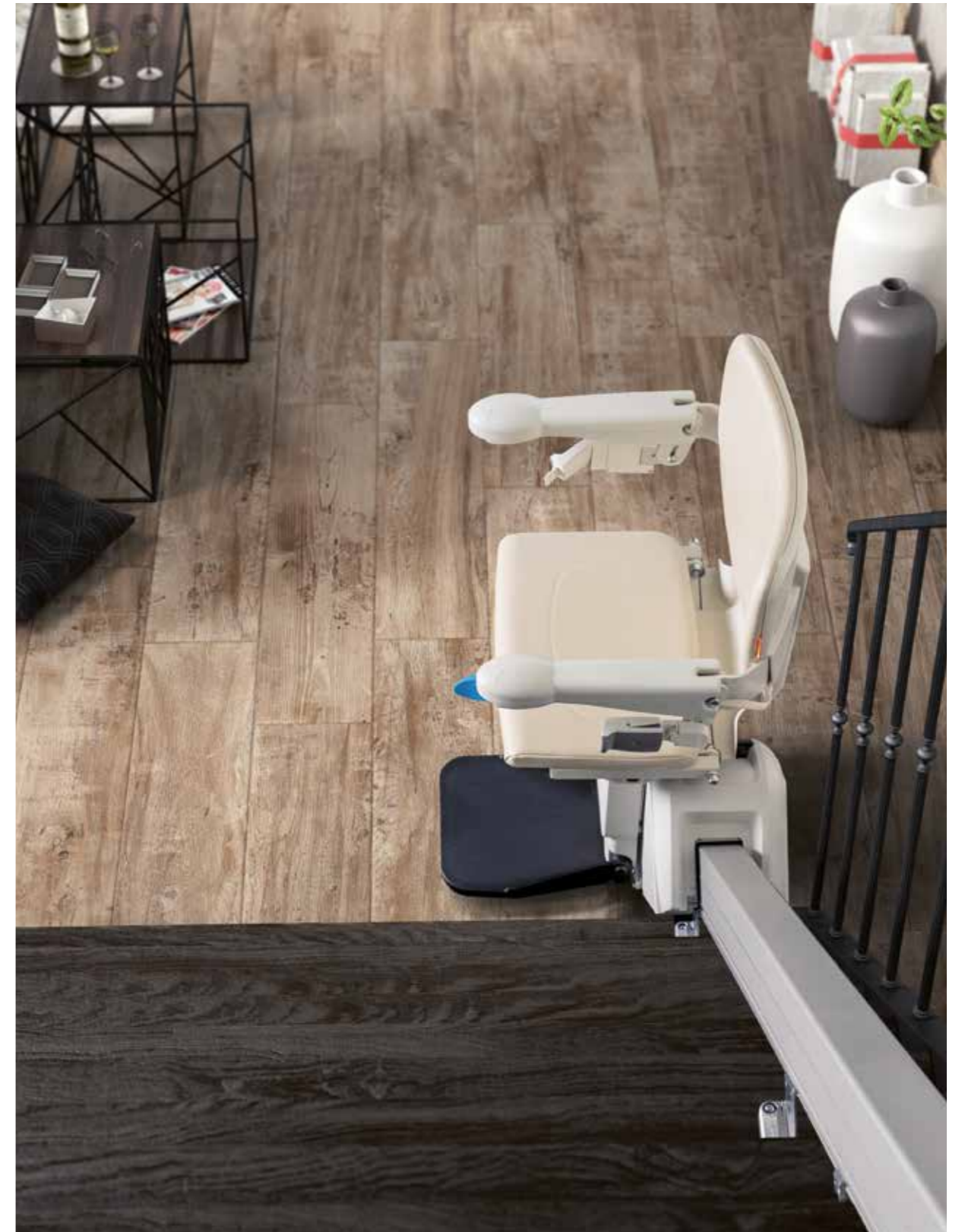
# *Ischia*

FOR A SINGLE  
FLIGHT OF STAIRS,  
EASY AND COMFORTABLE

---

The Ischia stairlift is the ideal solution to overcome a few steps both inside and outside the house.

Elegant and silent, perfect for moving safely in a great comfort.



## *Ischia*



Ischia frees yourself from thoughts regarding your movements about in the house: you don't need to give up anything, and Ischia doesn't require any special masonry works.

Sit down, fasten your belt and enjoy the soft march of your stairlift in complete relax.

## *Ischia*

WHY GIVING UP TO OLD HABITS?

THE ISCHIA STAIRLIFT IS COMFORTABLE AND EASY TO USE, AND IT HAS A SMALL FOOTPRINT SO...

SERENITY AND PEACE OF MIND AT HOME.







## FLEXIBLE AND ELEGANT

Ischia folds easily with the armrests, seat and footrest: it is never an encumbrance for those who have to use the staircase, it is always a pleasure to see it in the context of the house, for its shapes and discreet colors.

## COMFORT IS ALSO FOR THE SPACES AROUND YOUR HOME

Moving around the house with no worries? The outdoor version of Ischia is available with dedicated treatments to ensure your mobility on the steps of the ramp in front of the entrance, or on another side of the house.

THE FOOTREST IS COVERED WITH NON-SLIP MATERIAL AND FITTED WITH SAFETY EDGES



REMOTE CONTROL



JOYSTICK IS INTUITIVE AND CONVENIENT



OUTDOOR VERSION



LIGHT LEVER FOR SEAT ROTATION

# Capri

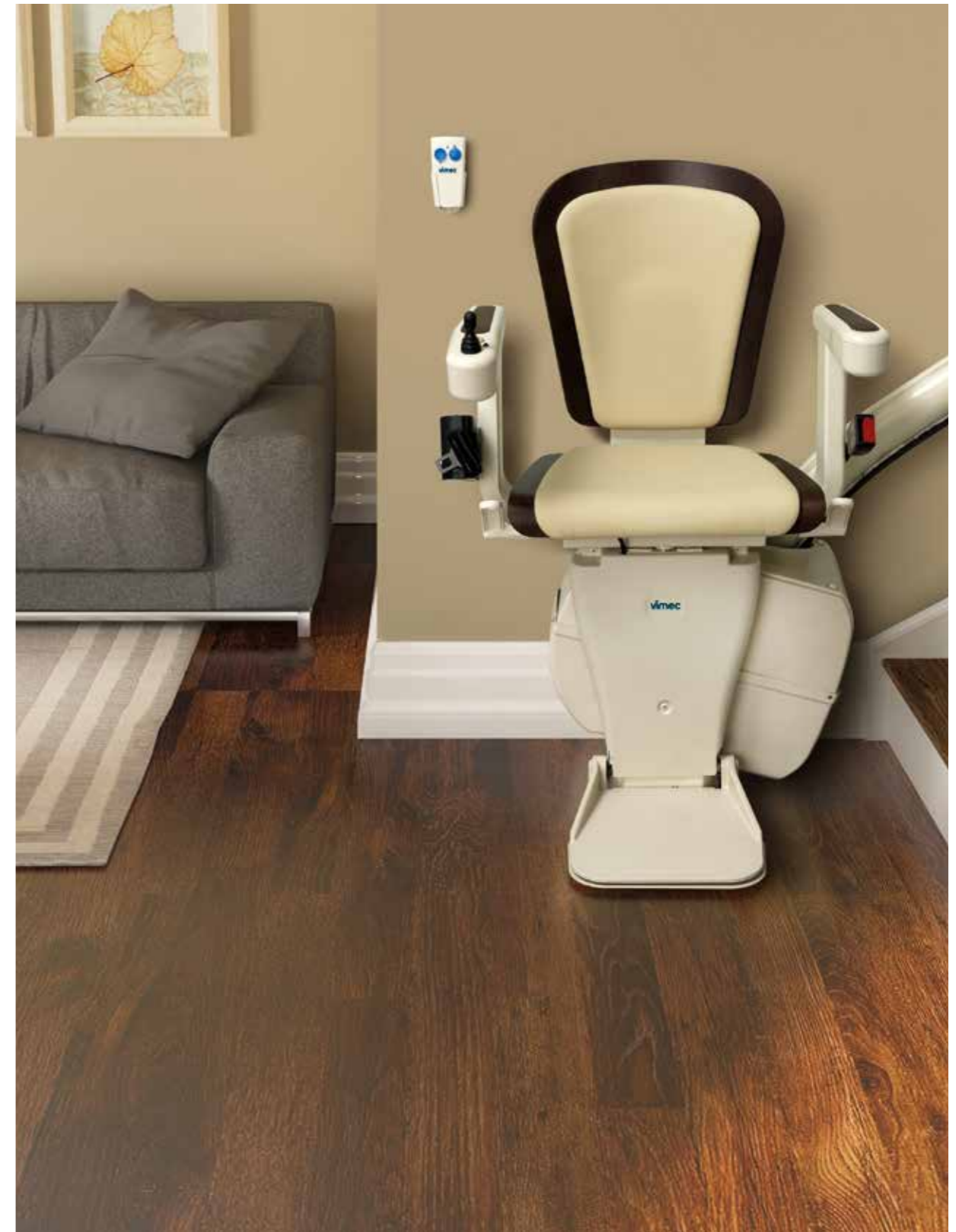
## FLEXIBILITY AND ELEGANCE

---

The Capri stairlift is Vimec tailor-made solution with the single tube guide, which is ideal for special installations when, for example, the space for parking the stairlift is already occupied by a door, or when you have a spiral staircase.

Elegant in shape and colors, the Capri stairlift is also perfect for moving safely in comfort.

## SERENITY ALWAYS TAILORED TO YOUR NEEDS







## EASE OF USE

You can reach the sleeping area in a minute, and with another minute you return to the kitchen, relaxing thanks to the soft start/stop function (controlled speed for start and for finish).



The Capri stairlift follows the shape of your staircase even for several ramps: Capri is at your service, you can move in peace on the different floors of your home.





# Capri



Capri stairlift flexibility allows you to face any kind of staircase with serenity, even those complicated as the spiral staircases.

Even on longer stairs the rail has a reduced encumbrance.

# Capri



REMOTE CONTROL



THE FOOTREST IS COVERED WITH NON-SLIP MATERIAL AND FITTED WITH SAFETY EDGES



DROPNOSE



THE SEAT ROTATION FACILITATES BOTH BOARDING AND DESCENDING ON LANDING FLOOR



THE UNIT IS FOLDABLE





## WHY CHOOSE CAPRI?

THE PROJECT IS ALWAYS  
TAILOR MADE

INSTALLATION IN ONE DAY

SUITABLE FOR STAIRCASES  
WITH SPECIAL CONFIGURATIONS

AVAILABLE WITH AUTOMATIC  
SEAT ROTATION



# Safety and comfort

## Dolce Vita

Dolce Vita is equipped with sensitive anti-collision edges, which stop the system in case there is an obstacle along the way. Armrest and footrest are particularly sturdy to offer elderly people a solid support. The chairlift activates only when all seat components (seat, armrest and footrest) are lowered in the working position. The seat rotation facilitates the landing on the floors. Soft START/STOP: the start and stop are soft and pleasant for every person. External systems are equipped with a protective cover.



# Technical features

## Dolce Vita

### AVAILABLE VERSIONS



THE SEAT IS AVAILABLE IN 3 WASHABLE COLOURS.

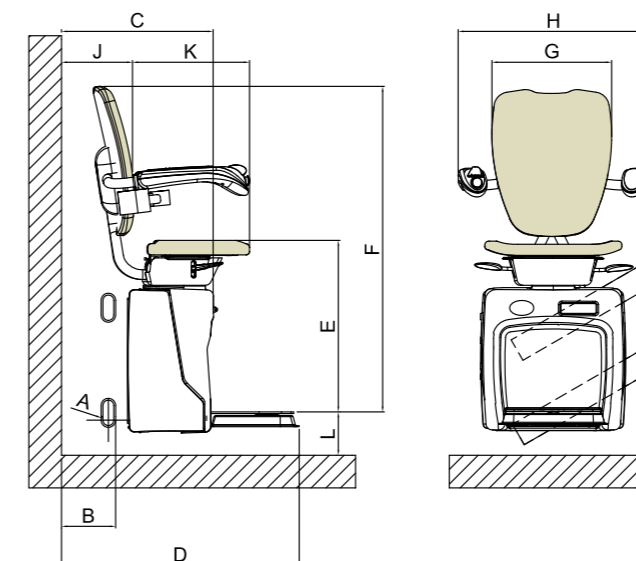
THE RAIL CAN BE PAINTED IN ANY RAL COLOR TO BETTER SUIT YOUR FURNITURE AND BE DISCRETE AND ELEGANT.

AVAILABLE IN OUTDOOR VERSION, WITH PROTECTIVE COVER.

### DEPARTURE FROM THE LOWER FLOOR



### TECHNICAL DATA



POWER SUPPLY	230 VAC
SPEED	0.15 M/S (MAX.)
DURATION OF USE	15 LAPS EVERY 24 HOURS - 10 CONTINUOUS LAPS
MAXIMUM LOAD	130 KG

DOLCE VITA		
A	DIMENSIONS OF THE GUIDE, WIDTH/HEIGHT	30 MM/50 MM
B	DISTANCE OF THE OUTER SIDE OF THE SCALE	130 MM
C	MACHINE DIMENSIONS WITH THE PLATFORM CLOSED	445 MM
D	MACHINE DIMENSIONS WITH THE PLATFORM OPEN	720 MM
E	DISTANCE BETWEEN THE PLATFORM AND THE SEA	530 MM
F	DISTANCE BETWEEN THE PLATFORM AND THE UPPER PART OF THE BACKREST	1.080 MM
G	BACKREST WIDTH	380 MM
H	DISTANCE BETWEEN ARMRESTS (EXTERNALLY)	600 MM
J	DISTANCE BETWEEN THE BACKREST AND THE WALL	195 MM
K	SEAT DEPTH	365 MM
L	DISTANCE BETWEEN THE UPPER PART OF THE PLATFORM TO THE FLOOR	90 MM



# Technical features

## Ischia

### AVAILABLE VERSIONS



ISCHIA FOR INTERIORS

### OPTIONAL

FOLDABLE GUIDE ON LOWER FLOOR

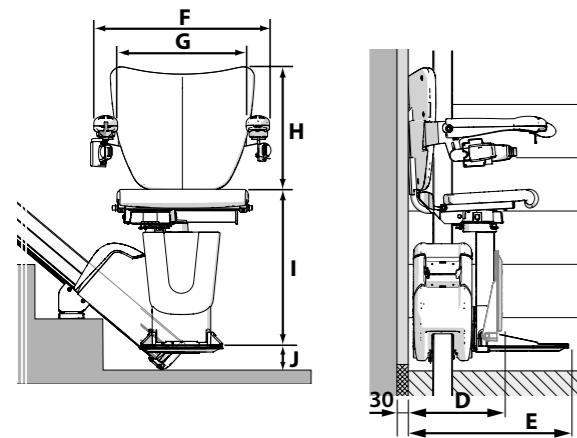
MOTORIZED SLIDING RAIL

AUTOMATIC SEAT ROTATION



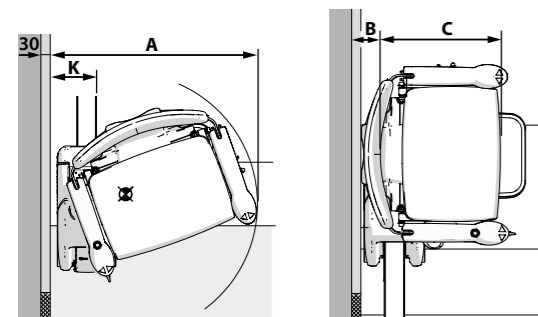
ISCHIA FOR OUTDOORS

### TECHNICAL DATA



ISCHIA		
A	ROTATION RADIUS	645 MM
B	MINIMUM BACKREST DEPTH	60 MM
C	SEAT DEPTH	390 MM
D	MINIMUM WIDTH WITH THE FOOTREST RAISED	320 MM
E	MINIMUM WIDTH WITH THE FOOTREST LOWERED	530 MM
F	EXTERNAL WIDTH OF ARMREST	575 MM
G	INTERNAL WIDTH OF ARMREST	450 MM
H	BACKREST HEIGHT	400 MM
I	FOOTREST - SEAT	430 - 460 - 490 - 520 MM
J	MINIMUM HEIGHT OF FOOTREST	70 MM
K	FRONT PART OF THE GUIDE	160 MM

THE TECHNICAL DATA ARE INDICATIVE. VIMEC RESERVES THE RIGHT TO MAKE ANY APPROPRIATE CHANGES.



SOFT START/STOP AS A STANDARD  
 NO LUBRICATION NEEDED: A CLOTH IS ALL IT TAKES TO CLEAN IT  
 INSTALLATION IN ONE DAY

# Technical features

## Capri

### OPTIONAL

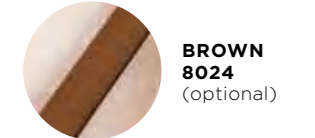
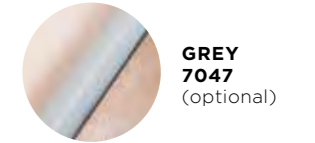
FOLDABLE RAIL ON LOWER FLOOR

AUTOMATIC SEAT ROTATION

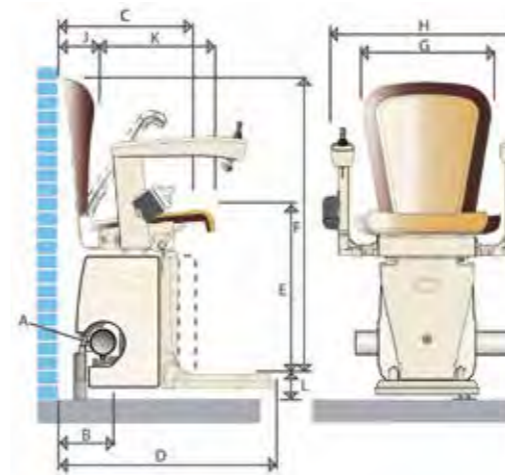


COMFORT

### RAIL



### TECHNICAL DATA



POWER SUPPLY	230 VAC
SPEED	0.15 M/S (MAX.)
DURATION OF USE	15 LAPS EVERY 24 HOURS 10 CONTINUOUS LAPS
MAXIMUM LOAD	125 KG

CAPRI		
A	GUIDE DIMENSIONS (DIAMETER)	Ø 76 MM
B	DISTANCE FROM OUTSIDE SCALE (BASE 30 MM) OR DISTANCE FROM INSIDE SCALE (BASE 30 MM)	170 MM 190-250 MM
C	MACHINE DIMENSIONS WITH CLOSED PLATFORM	400 MM
D	MACHINE DIMENSIONS WITH THE PLATFORM OPEN (BEVELLED)	625 MM
E	DISTANCE BETWEEN FOOTREST AND SEAT	485 MM
F	DISTANCE BETWEEN FOOTREST AND UPPER PART OF BACKREST	880 MM
G	DISTANCE BETWEEN ARMRESTS (INTERNALLY)	440-460 MM
H	DISTANCE BETWEEN ARMRESTS (OUTSIDE)	570-610 MM
J	DISTANCE BETWEEN BACKREST AND WALL	570-610 MM
K	SEAT DEPTH	390 MM
L	DISTANCE BETWEEN THE UPPER PART OF THE PLATFORM AND THE FLOOR IN THE CASE OF 'DROPNOSE'	130 MM 93 MM
MINIMUM WIDTH OF LADDER INSTALLATION INSIDE		770 MM
MINIMUM WIDTH OF LADDER INSTALLATION OUTSIDE		740 MM

THE TECHNICAL DATA ARE INDICATIVE. VIMEC RESERVES THE RIGHT TO MAKE ANY APPROPRIATE CHANGES.

SOFT START/STOP AS A STANDARD  
 INSTALLATION IN ONE DAY

# vimec

Vimec was born in 1980 near the river Po, between the provinces of Mantova and Reggio Emilia.

Over the years we have become leaders thanks to the values that guide us every day: people are our customers, whom we deal with passion, commitment and integrity, in order to ensure the best consumer experience.

Vimec Accessibility is the division of the company that takes care of the design, implementation and installation of tailor-made solutions to support people needs of mobility, both at home and in public environments.

ART: KALIMERA.IT



AZIENDA CON SISTEMA QUALITÀ  
CERTIFICATO DA DNV  
= UNI EN ISO 9001/2008 =



7510148-05022015 440/0



# vimec ACCESSIBILITY

**VIMEC s.r.l.**

Via Parri, 7 | 42045 Luzzara (RE) | Italy  
Ph. +39 0522 970666 | Fax +39 0522 970677  
[export@vimec.biz](mailto:export@vimec.biz) | [www.vimec.biz/en](http://www.vimec.biz/en)

**VIMEC ABROAD:**

**Madrid** (Spain)  
**Avignon** (France)  
**St. Petersburg** (Russia)

**London** (United Kingdom)  
**Warsaw** (Poland)

Company subject to management and coordination by Investmentaktiebolaget Latour.